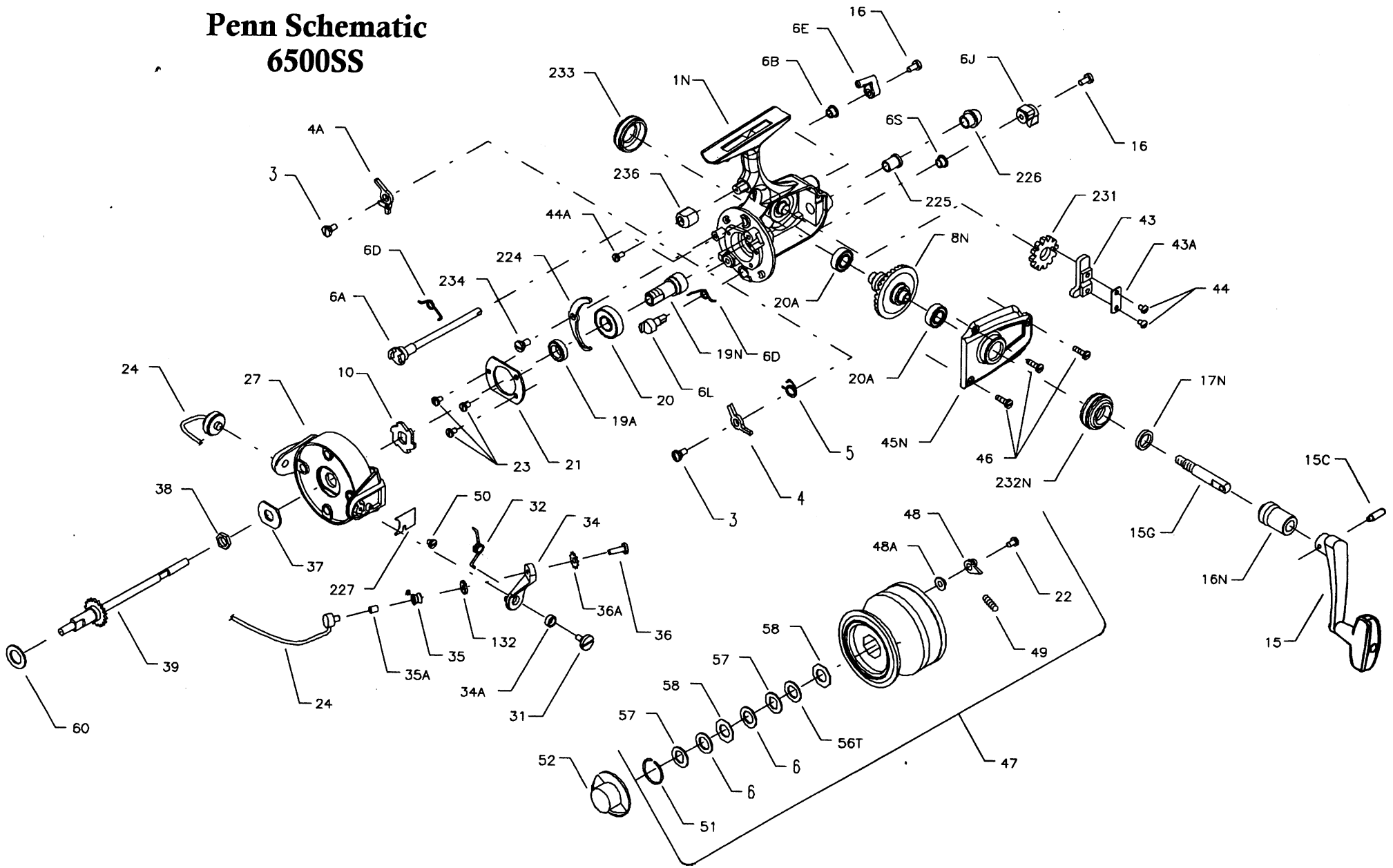


Penn Schematic 6500SS



Penn Reel Parts list for:

Model: 6500SS

KEY NO	PART NO.	DESCRIPTION	KEY NO	PART NO.	DESCRIPTION
1N	1N-6500	HOUSING	35	35-750	LINE ROLLER
3	3-750	DOG SCREW (2 REQ.)	35A	35A-704	LINE ROLLER BUSHING
4	4-650	DOG	36	36-750	BAIL STUD SCREW
4A	4A-650	SILENT DOG	36A	36A-750	LOCK WASHER
5	5-704	CLICK DOG SPRING	37	37-650	ROTOR WASHER
6	6-155	DRAG WASHER-HT 100 (2 REQ.)	38	38-710	ROTOR NUT
6A	6A-650	UPPER ECCENTRIC	39	39-650	SPOOL SHAFT
6B	6B-750	UPPER ECCENTRIC LINER	43	43-750	CROSSMIND BLOCK
6D	6D-710	ECCENTRIC SRPING (2 REQ.)	43A	43A-750	CROSSMIND BLOCK PLATE
6E	6E-750	ANTI-REVERSE LEVER	44	44-750	CROSSMIND BLOCK SCREW (3 REQ.)
6J	6J-750	SILENT DOG LEVER	44A	44-750	TRIP BUMPER SCREW
6L	6L-650	SILENT ECCENTRIC	45N	45N-6500	HOUSING COVER
6S	6B-700Z	SILENT ECCENTRIC LINER	46	46-750	HOUSING COVER SCREW (3 REQ.)
8N	8N-6500	MAIN GEAR	47	47-6500	SPOOL (COMPLETE)
10	10-650	RATCHET	48	48-750	CLICK TOUNGE
15	15-650	HANDLE	48A	48A-750	CLICK TOUNGE WASHER
15C	15C-650	PIVOT SCREW	49	49-710	CLICK TOUNGE SPRING
15G	15G-6500	HANDLE PIVOT	50	50-712	BAIL SPRING COVER SCREW
16	16-910	ECCENTRIC SCREW (2 REQ.)	51	51-650	RETAINING RING
16N	16N-6500	HANDLE COLLAR	52	52-650	DRAG KNOB
17N	17N-6500	SEAL WASHER	56T	56T-650	DRAG WASHER (TEFLON)
19A	19A-650	PINION SPACER	57	57-650	DRAG WASHER (KEYED) (2 REQ.)
19N	19N-6500	PINION	58	58-650	DRAG WASHER (OCTAGON) (2 REQ.)
20	20-704	BALL BEARING	60	60-750	THRUST WASHER
20A	20-6500	BALL BEARING (2 REQ.)	132	132-750	ROLLER WASHER
21	21-750	BEARING COVER	224	224-650	TRANSFER LEVER
22	22-750	SPOOL CLICK SCREW	225	225-750	CROSSMIND SHAFT BUSHING
23	23-750	BEARING COVER SCREW (3 REQ.)	226	226-7500	BUSHING CAP
24	24-650	BAIL VMRE	227	227-750	BAIL SPRING COVER
27	27-650	ROTOR	231	231-650	CROSSMIND GEAR
31	31-750	BAIL ARM SCREW	232N	232N-6500	BEARING COVER (OPEN)
32	32-750	BAIL ARM SPRING	233	233-650	BEARING COVER (CLOSED)
34	34-750	BAIL ARM	234	234-750	TRANSFER LEVER SCREW
34A	34A-750	BAIL ARM BUSHING	236	236-750	TRIP BUMPER
			*	300-6500	POWER HANDLE

**NOT SHOWN*